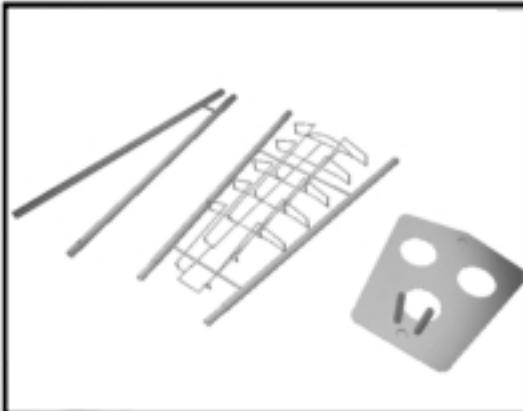
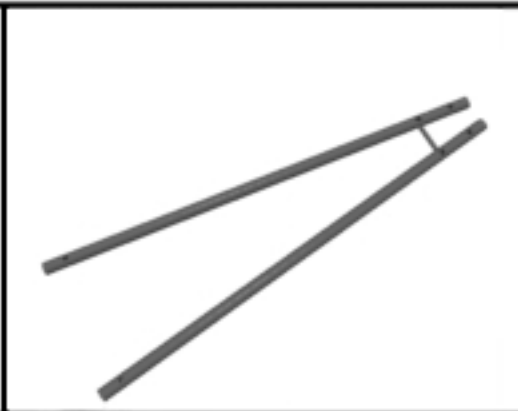


# User Instructions

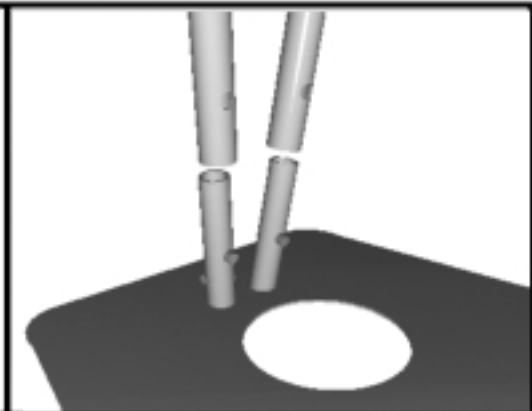
## Victory



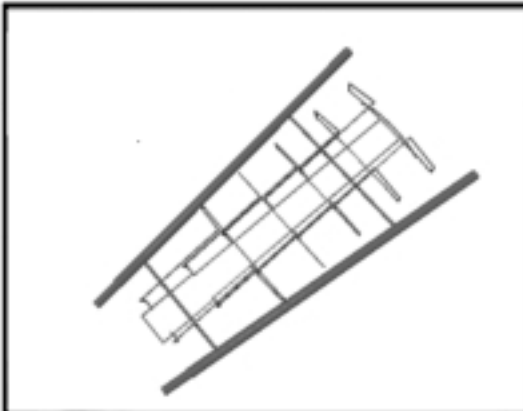
Remove the system from the box.



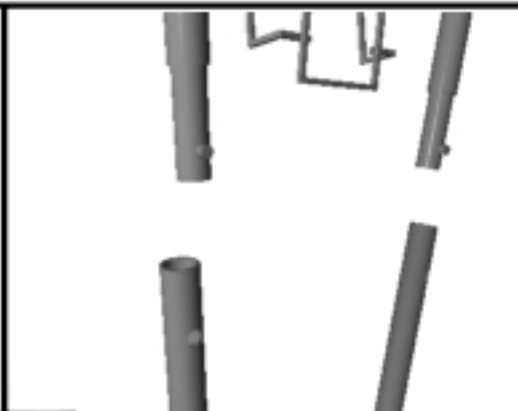
Find the bottom section of the rack. The bottom section has both ends open as shown above.



Place the bottom section onto the foot, making sure that it snaps into place. Make sure the narrow end is down.



Find the top section of the rack. The top section has the literature pockets as pictured above.



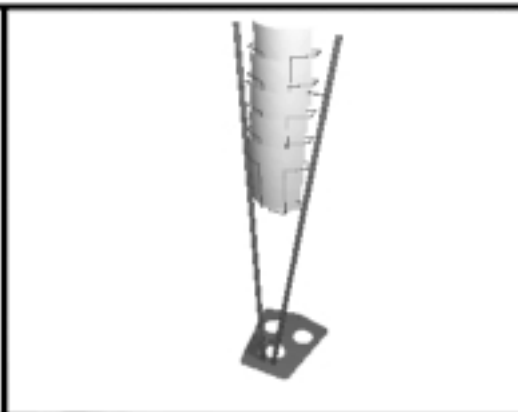
Place the top section onto the bottom section, making sure that it snaps into place.



If done correctly there should be a slight backwards slope to the system.

### Product Details

Bag: Black with red handle straps  
Color: black or silver  
Weight of Base: 3.15 lbs  
Profile of Base: 14.5"D x 13"W x 3.5"T  
Height of Display: 52"  
Pocket Size: 1.5"D x 9"W x 7.5"T  
Shipping Size: 30" x 17" x 4"  
Shipping Weight: 11 lbs



**Reverse the procedure to disassemble.**

Your system is now ready to be used.